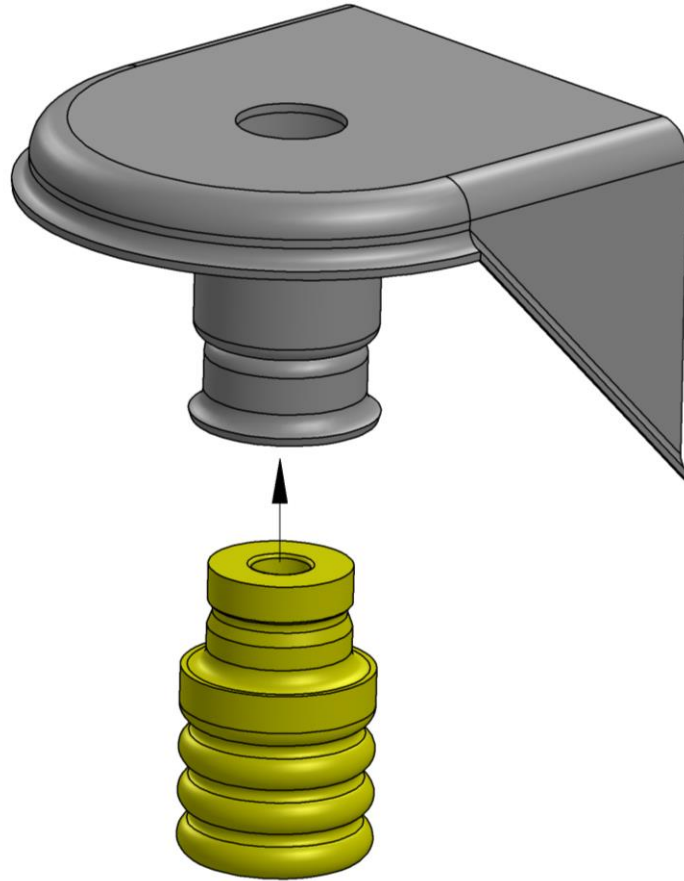


SumoSprings® Front

Jeep Wrangler TJ (1997-2006)

Part #SSF-406-54



Installation Instructions

- 1) Park vehicle on level hard surface. Engage emergency brake. Place blocks in front and behind rear wheels to prevent rolling. Observe all safety precautions and wear safety glasses.
- 2) Raise front of vehicle allowing the axle to hang freely. Support the frame using safety jack stands.
- 3) Disconnect the sway bar and shocks from the axle.
- 4) Disconnect the draglink from the pitman arm.
- 5) Lower the axle far enough to remove the front coil.

- 6) Remove the factory bump-stop from the frame by pulling and twisting it.
- 7) Install SumoSpring by pushing and twisting it into the same position as the factory bump stop
- 8) Reinstall the coil and reattach the draglink, shocks, and sway bar.
- 9) Jack up vehicle, remove safety jack stands.
- 10) Carefully lower vehicle to the hard surface. Remove the blocks in front and back of the rear wheels.
- 11) Release emergency brake.
- 12) Fill out warranty card and send to SuperSprings. The warranty card is on the reverse side of this page.

Important Notice.

- 1) For easy installation please read instructions completely first and have all necessary tools available.
- 2) We recommend that this installation be done by a professional or persons with sound mechanical knowledge.
- 3) SumoSprings are designed to work with the original factory springs only. If they have been replaced with aftermarket springs then please consult with Supersprings International at 866-898-0720.
- 4) These instructions are meant as a guide for the installation of SumoSprings. SuperSprings International assumes no liability for the actual installation process. Installers should apply common automotive safety practices when raising, lowering and working on vehicles.
- 5) SumoSprings are designed to enhance the vehicles load carrying performance and road handling however it does not authorize (or recommend) loading beyond the manufacturer's GVWR specifications.
- 6) For technical support contact SuperSprings International at 866-898-0720.

To prevent damage to the vehicle and to ensure safety, do not exceed the maximum load recommended by the vehicles manufacturer (GVWR).